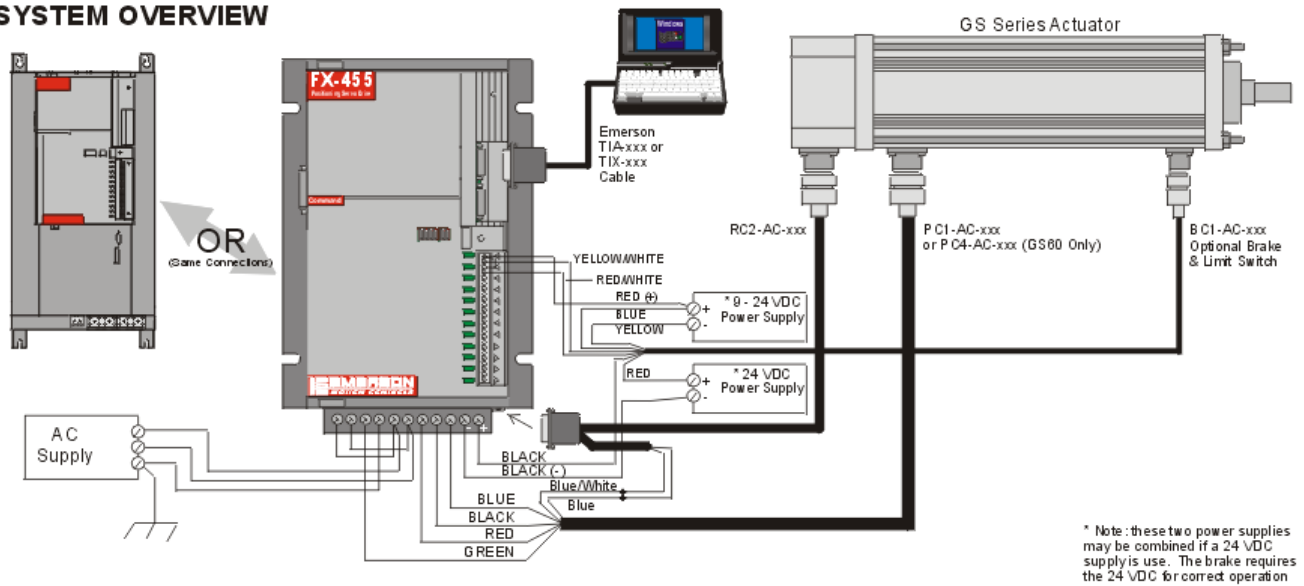


7.3a Emerson FX Drive with Exlar GS Series Actuator (O Option Connector)

SYSTEM OVERVIEW



Motor Cable PC2-AC-XXX			
Exlar Connector	Wire Color	Function	FX Connector
A	Red	R Phase	R
B	Black	S Phase	S
C	Blue	T Phase	T
D	Green	GND	⊕
E			
F	Blue/White	Therm Sw -	Rslvr, Conn, 9
G	Blue	Therm Sw +	Rslvr, Conn, 5

Resolver Cable RC2-AC-XXX			
Exlar Connector	Wire Color	Function	FX Resolver Connector
R	Yellow/White	REF GND	1
G	Blue	COS GND	2
F	Black	SIN GND	4
E	Red/White	REF	6
S	Yellow	COS	7
H	Red	SIN	8
D	Bare	Shield	3

Brake and Limit Switch Cable BC1-AC-XXX			
Exlar Connector	Wire Color	Function	FX Connector
A	Blue	+24 VDC	
B	Yellow	24V GND	
C	Red/White	Lim Sw -	Input
D	Yellow/White	Lim Sw +	Input
E			
F	Black	Brake Output	Brake +
G	Red	+24 VDC	
		24V GND	Brake -

NOTE: Travel limit functions can be assigned to any inputs.