

Six Degree-of-Freedom Motion Simulation

APPLICATION CHALLENGE

Motion simulation requires a clean and easy to use actuator solution. The smooth and accurate motion of Exlar's linear actuators, combined with today's servo technology, makes multiple degree-of-freedom motion simulation applications not only cleaner and easier to implement, but also more efficient than outdated hydraulic solutions. The roller screw technology used in the GSM Series actuators provides very high speeds and stiffness and the life expectancy can be 5 times that of ball screw actuators. So eliminate your maintenance and environmental headaches and achieve the robustness and longevity your application requires.

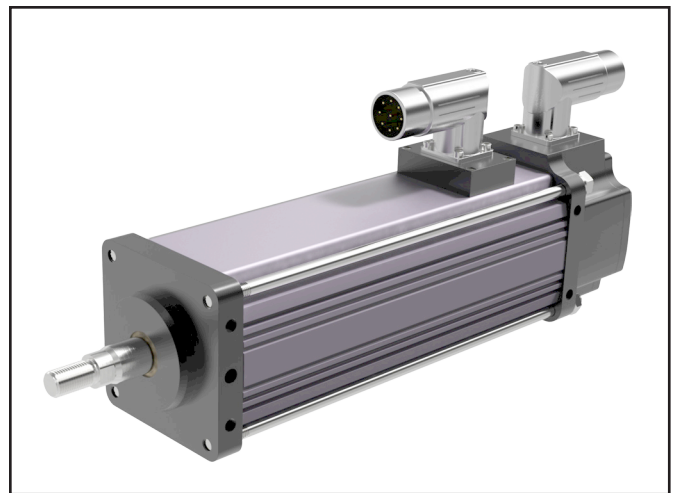
EXLAR SOLUTION

Six Exlar GSM20 actuators are used in the ThoroughTec mining equipment simulators. Two other families of linear actuators, the GSX Series and FT Series actuators are also available and offer varying stroke lengths, speeds, forces, and other mechanical characteristics to meet your application requirements.



EXLAR PRODUCTS

GSM Series actuator



THE EXLAR ADVANTAGE

- Millions of cycles without re-lubrication or maintenance
- Roller screws offer up to 15 times longer life than ball screw actuator
- Less noise than other motion technologies
- Less energy consumption with electric actuation
- Accurate and repeatable positioning
- Wide variety of mounting styles
- High cycle rates
- Multiple stroke lengths
- Available in standard sizes offering peak forces from 100 to 40,000 pounds
- Operation with nearly any servo amplifier
- Higher stiffness due to integrated design